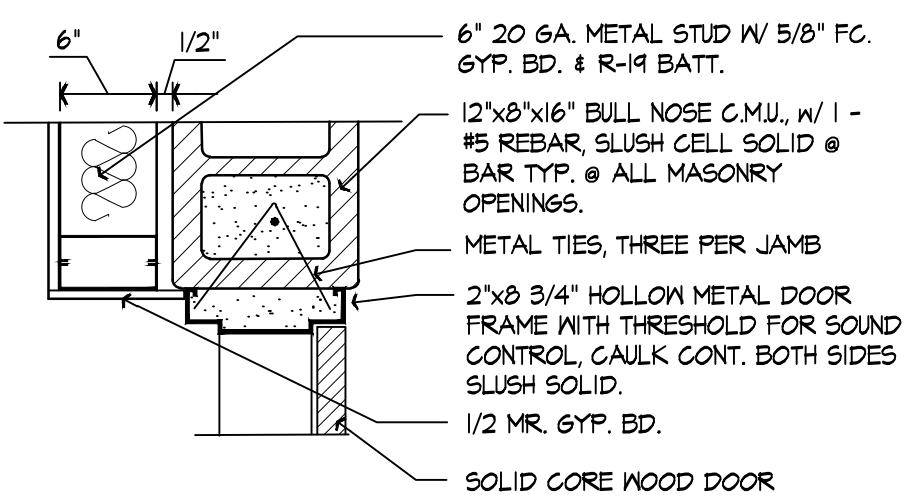
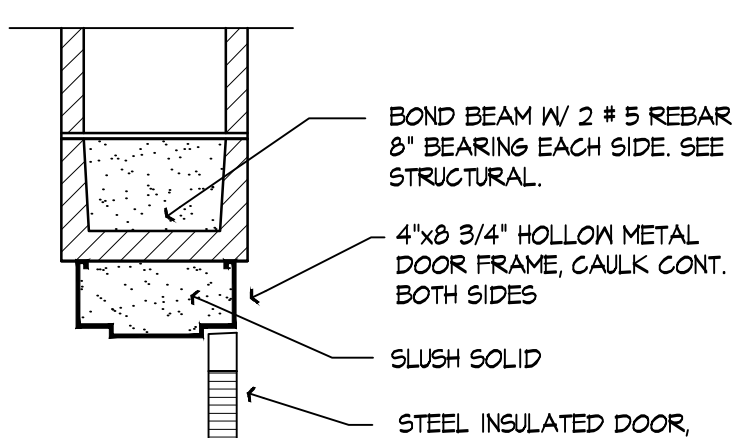


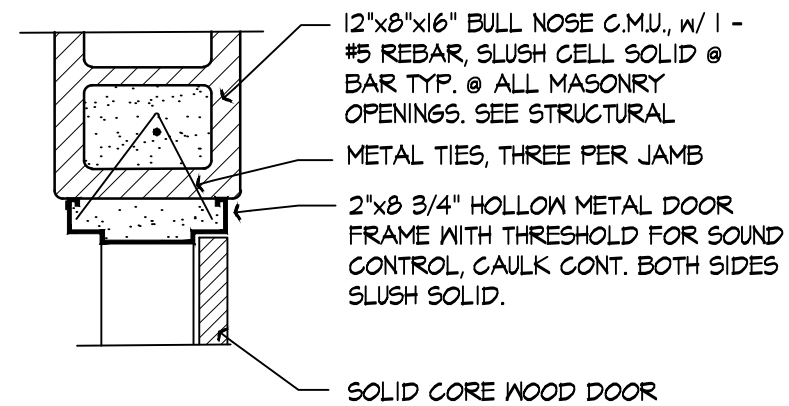
DOOR HEAD @ CMU WALL (A)
SCALE: 1" = 1'-0"



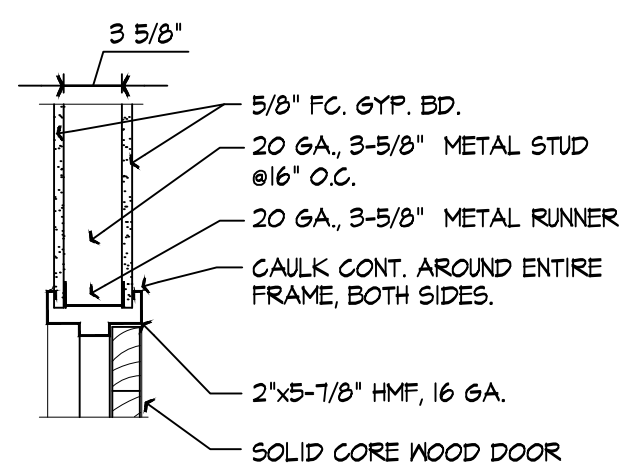
DOOR JAMB @ CMU WALL (B)
SCALE: 1" = 1'-0"



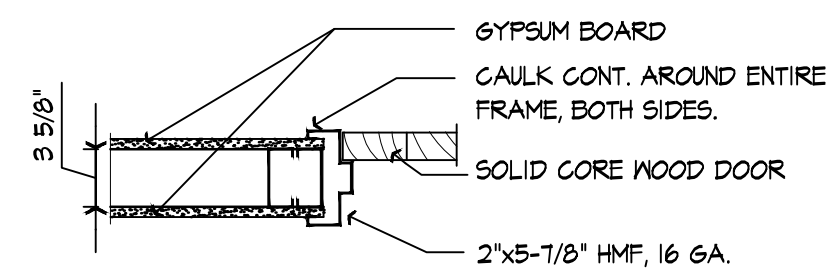
DOOR HEAD @ CMU WALL (C)
SCALE: 1" = 1'-0"



DOOR JAMB @ CMU WALL (D)
SCALE: 1" = 1'-0"



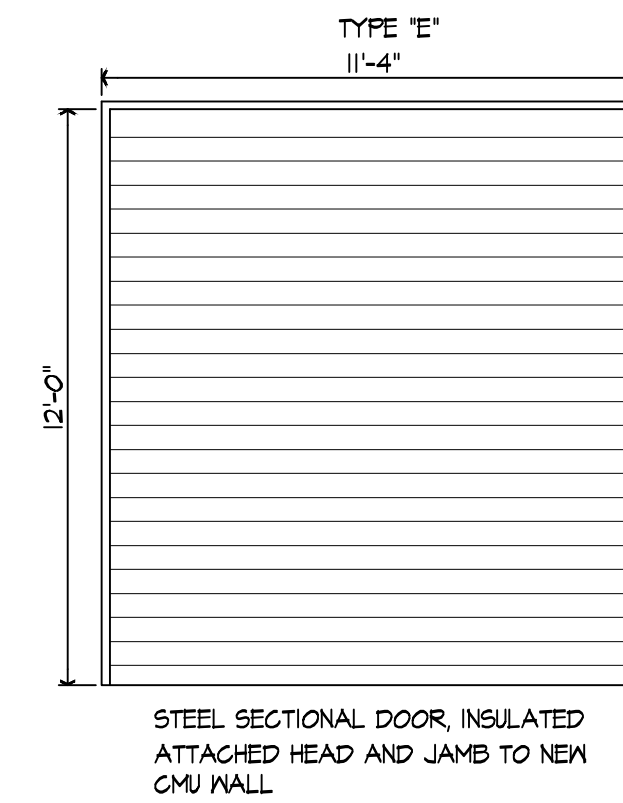
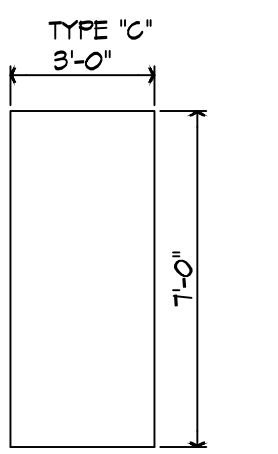
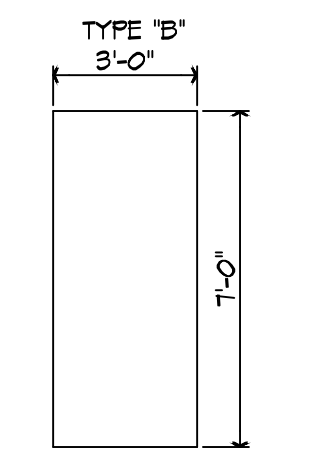
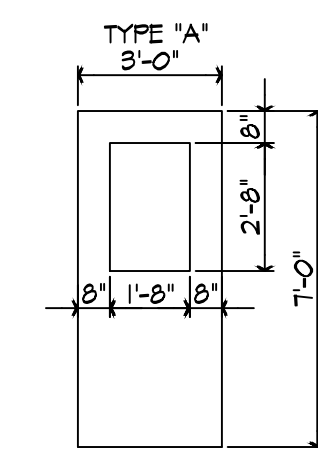
INTERIOR DOOR HEAD (E)
SCALE: 1" = 1'-0"



INTERIOR DOOR JAMB (F)
SCALE: 1" = 1'-0"

DOOR SCHEDULE										SEE SPEC. SECTION 0810 FOR HARDWARE SETS
NO.	TYPE	MATERIAL	WIDTH	HEIGHT	THICK.	FRAME			REMARKS	
						TYPE	HEAD	JAMB		
1	A	HM INS.	3'-0"	7'-0"	1 3/4"	1	A	B	----	CMU JAMB & HEAD
2	E	STEEL	11'-4"	12'-0"	----	----	----	----	----	CMU JAMB & HEAD
3	E	STEEL	11'-4"	12'-0"	----	----	----	----	----	CMU JAMB & HEAD
4	A	HM INS.	3'-0"	7'-0"	1 3/4"	1	A	B	----	STORM DOOR
5	C	HM INS.	3'-0"	7'-0"	1 3/4"	3	C	D	----	STORM DOOR
6	C	HM INS.	3'-0"	7'-0"	1 3/4"	3	C	D	----	STORM DOOR
7	A	HM INS.	3'-0"	7'-0"	1 3/4"	1	C	D	----	STORM DOOR
8	C	HM INS.	3'-0"	7'-0"	1 3/4"	3	C	D	----	STORM DOOR
9	B	SCW	3'-0"	7'-0"	1 3/4"	2	E	F	----	
10	B	SCW	3'-0"	7'-0"	1 3/4"	2	E	F	----	
11	B	SCW	3'-0"	7'-0"	1 3/4"	2	E	F	----	
12	B	SCW	3'-0"	7'-0"	1 3/4"	2	E	F	----	
13	B	SCW	3'-0"	7'-0"	1 3/4"	4	E	F	----	

DOOR TYPES:
SCALE 1/4" = 1'-0"



EXTERIOR HOLLOW METAL INSULATED DOOR, 18 GA. W/ 1/4" WIRE GLASS W/ METAL VISION PANEL

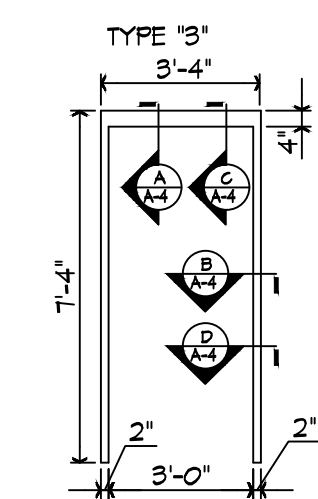
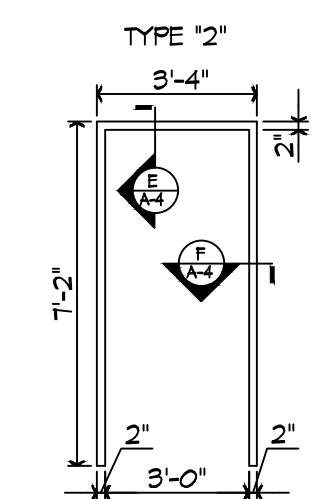
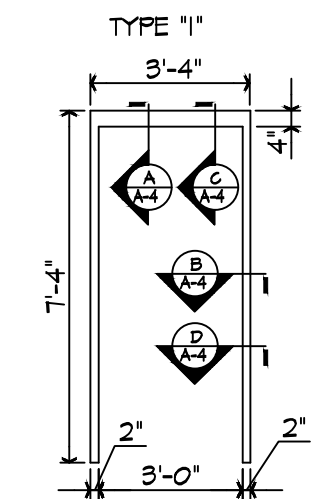
1-3/4" INTERIOR SOLID CORE WOOD DOOR, FLUSH

INTERIOR HOLLOW METAL DOOR, FLUSH, STORM DOOR PALADIN 100 500-FEMA 320/361 BY STEELCRAFT OR EQUAL.

STEEL SECTIONAL DOOR, INSULATED ATTACHED HEAD AND JAMB TO NEW CMU WALL

DOOR FRAMES:
SCALE 1/4" = 1'-0"

ALL EXTERIOR HOLLOW METAL DOOR FRAMES SHALL BE GALVANIZED.



INTERIOR HOLLOW METAL FRAME, 16 GA. 8-3/4" WELDED

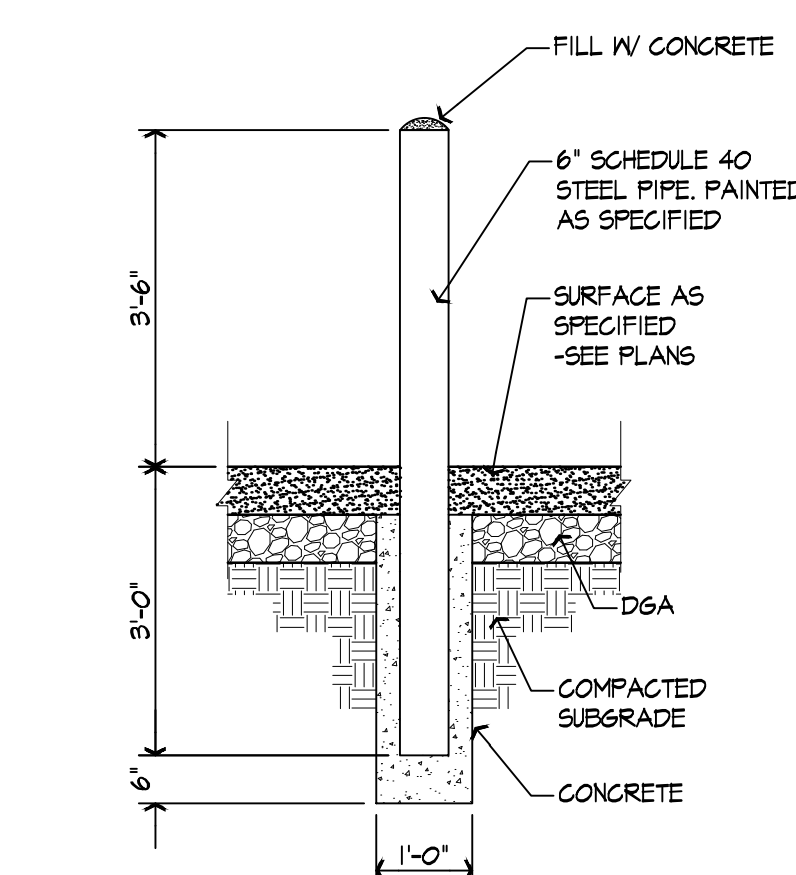
INTERIOR HOLLOW METAL FRAME, 16 GA. 5 7/8" DM FRAME

SHELTER ENTRANCE HOLLOW METAL FRAME 14 GA. WELDED

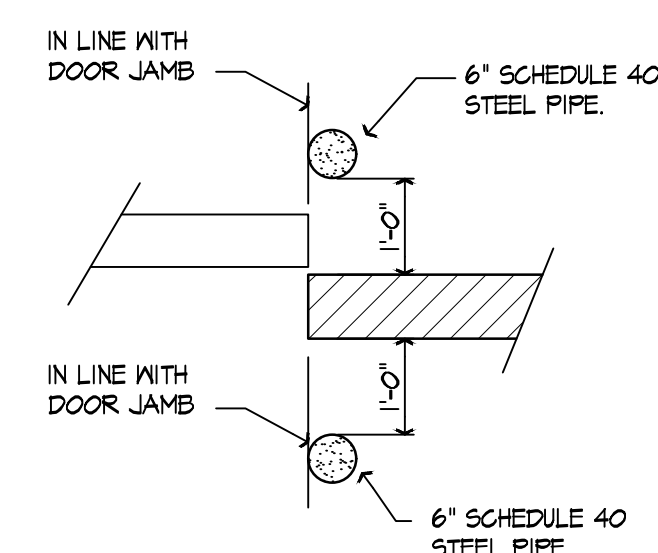
- BUILDING FINISHES**
- NEW SOFFITS PANELS - 26 GA. STEEL WHITE
 - STEEL SECTIONAL DOORS/FRAMES - COLOR BY OWNER
 - HOLLOW METAL DOORS/FRAMES - PAINTED SEMI-GLOSS ENAMEL, COLOR BY OWNER.

GENERAL NOTES:
ALL GYP. BD. SHALL BE 5/8" FC. EXCEPT AT WINDOW AND DOOR JAMBS

GENERAL METAL STUD NOTES
ALL STUD CONNECTIONS ARE TO BE MADE WITH (2) #12-24 x 7/8" SELF-TAPPING SCREWS BY ELCO OR EQUIVALENT.
2 STUDS PER JAMB UNLESS NOTED OTHERWISE ON PLANS.
362T200-33 TRACK, ATTACH TRACK TO CONC. W/ PNEUTEK SD32075 @ 24" c/c OR EQUAL
NON LOAD BEARING WALL 362S137-33 METAL STUD OR 600S137-33.
SOUND BATTS AROUND TOILET



PIPE BOLLARD DET. (G)
SCALE: 1/2" = 1'-0"



PIPE BOLLARD PLAN (H)
SCALE: 1/2" = 1'-0"

**ROWAN COUNTY
AMBULANCE GARAGE
MOREHEAD, KENTUCKY**

DATE	REVISION	BY

PROJECT NO. 5070-02
DESIGNED BY M57/BLL
DRAWN BY IBL
CHECKED BY M5F
REVIEWED BY M5F
DATE APRIL 2020
SCALE A5 NOTED

MSE
OF KENTUCKY, INC.
Engineers
Architects
Planners
Phone: (859)223-5684
Fax: (859)223-2807
624 Wellington Way
Lexington, KY 40503
www.mselex.com

DRAWING NO.
A-4
SHEET OF